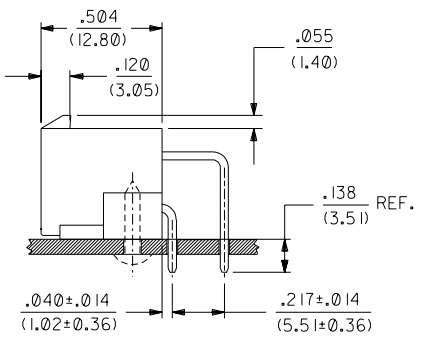
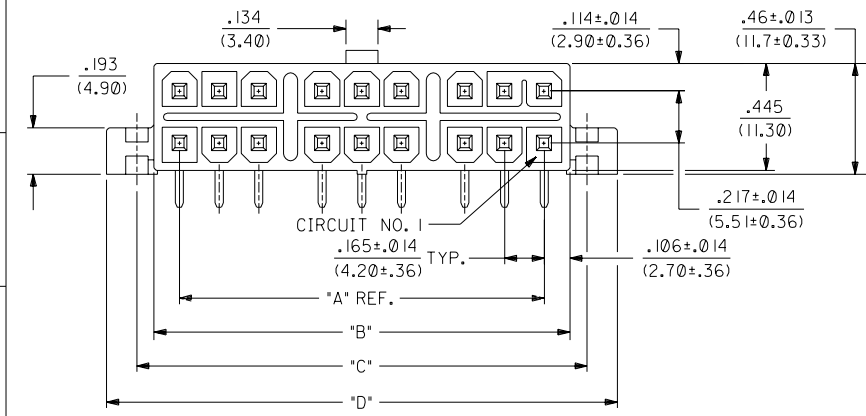
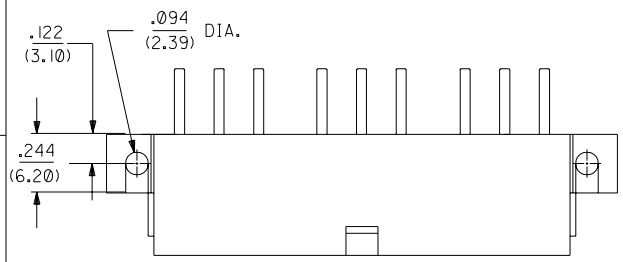


**OPTION A  
FLANGE MOUNT**  
SEE SHT. 2 FOR ADDITIONAL INFORMATION

- NOTES:**
- HOUSING MATERIAL: POLYESTER, UNFILLED, 94V-0. COLOR: BLACK. PIN MATERIAL: BRASS ALLOY
  - PLATINGS: (PER SDES-88-\*\*\*)  
 1 = .000200/(.00508) MIN. TIN OVER  
 .000100/(.00254) MIN. COPPER.  
 3 = .000030/(.00076) MIN. GOLD OVER  
 .000050/(.00127) MIN. NICKEL.
  - PRODUCT SPECIFICATION PS-5556-003.
  - PART IS DESIGNED IN METRIC.
  - MATES WITH TPA RECEPTACLE NO. 30067-\*
  - PARTS ARE NOT TO BE MATED OR UNMATED WHILE CIRCUITS ARE LIVE.



**LEGEND**

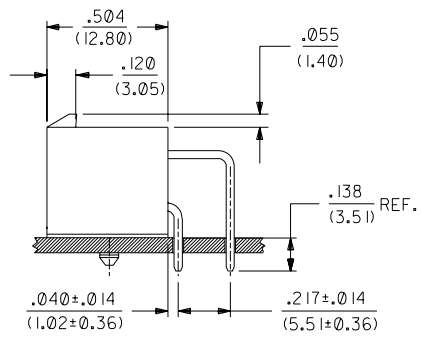
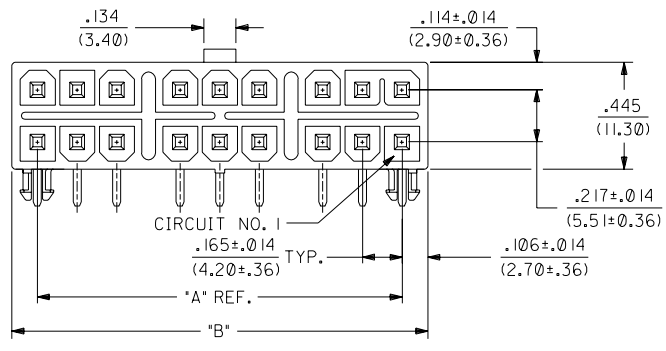
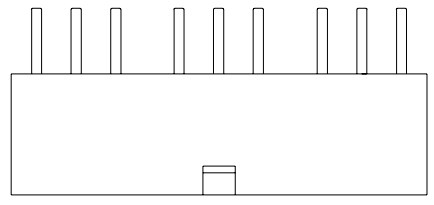
A-30070-\*\*\* \*\*

NO. OF CIRCUITS ———— PLATING  
 1 = (503)  
 3 = (102)

PCB MOUNTING  
 A = FLANGE  
 B = PEG LOCK

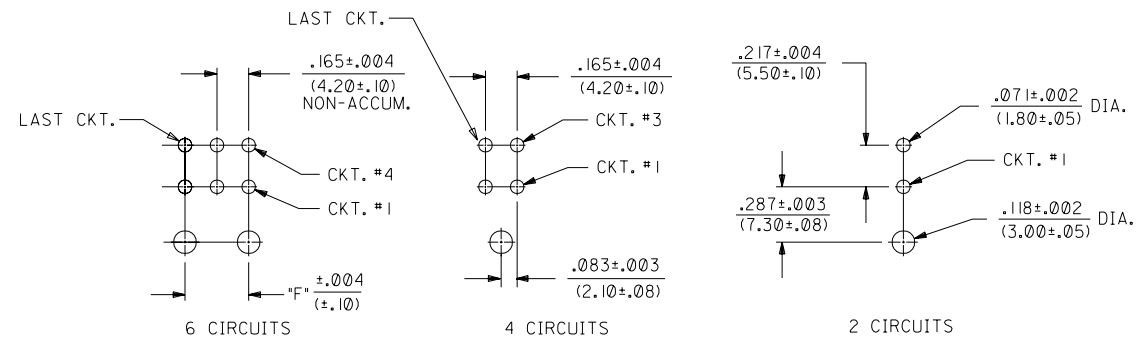
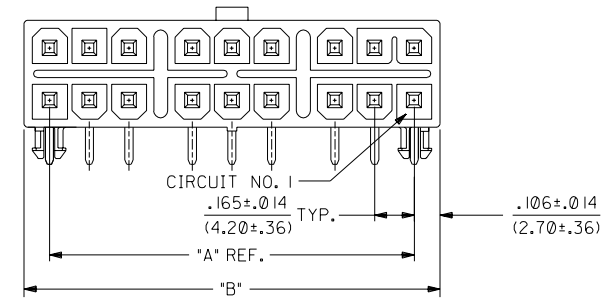
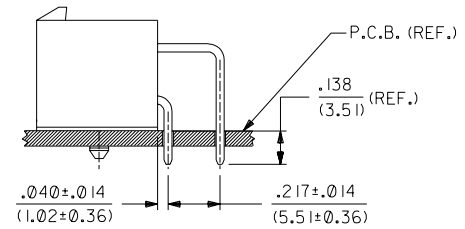
L	REV. PLT. NOTE. ECN *UCP2004-1872 03/29/04 CAMPBELL
K	REVISED & REDRAWN UCP2004-0963 11/17/03 SCHAFFER
J	REV. PS NOTE UCP2003-0367 8/30/2002 SAMIEC
H	.287 WAS .165 ECN U21803 GEP 12-11-92 RJF
G	REV. PICTORIALY U21708 GEP 11-24-92 RJF
F	.30 WAS .50 GOLD ECN U21043 GEP 7-14-92 RJF
E1	ADDED E.D.P.'S ECN U20701 GEP 5-1-92 RJF
E	MAT'L WAS NYLON ECR U20400 GEP 4-3-92 RJF
D2	ADDED E.D.P. PER ECR U20325 3-12-92 RJF
D1	ADDED E.D.P. PER ECR U20400 3-4-92 RJF
D	REV. 18-24 CKTS. ECN U11866 9-16-91 RJF
C	ADD 18 TO 24 CKT ECN U11786 GEP 9-6-91 RJF
B	REV. PROD. SPEC. ECN U11690 GEP 8-15-91 RJF
A1	ADD EDP NO. PER ECR * U10209 1-7-91 JRT/DMF
A	COMB. SALES DWGS PER ECR * U100132 10-01-90 JRT/DMF

**OPTION B  
PEG MOUNT**  
SEE SHT. 3 FOR ADDITIONAL INFORMATION



DIMENSIONS SHOWN (METRIC) INCH UNLESS OTHERWISE SPECIFIED TOLERANCES ANGULAR ± 1/2°		▽ = 0		REVISION ONLY ON CAD SYSTEM	
3 PLACE ± .010		INCH		METRIC	
2 PLACE ± .014		---		± 0.25	
1 PLACE ---		---		± 0.36	
DRAFT WHERE APPLICABLE MUST REMAIN WITHIN DIMENSIONS					
DRWG. BY DMF		CHK'D. BY JRT		PART NO. SDA-30070-****	
APP'D. BY SC		SCALE 2:1		DRWG. NO. 1 OF 4	
FILE NAME 5300700X1		THIS DRAWING CONTAINS INFORMATION THAT IS PROPRIETARY TO MOLEX INC. AND SHOULD NOT BE USED WITHOUT WRITTEN PERMISSION		DATE 06/15/90	
SHEET NO. 1 OF 4		U.S.A.		MOLEX INCORPORATED LITSE, ILL. 60532	

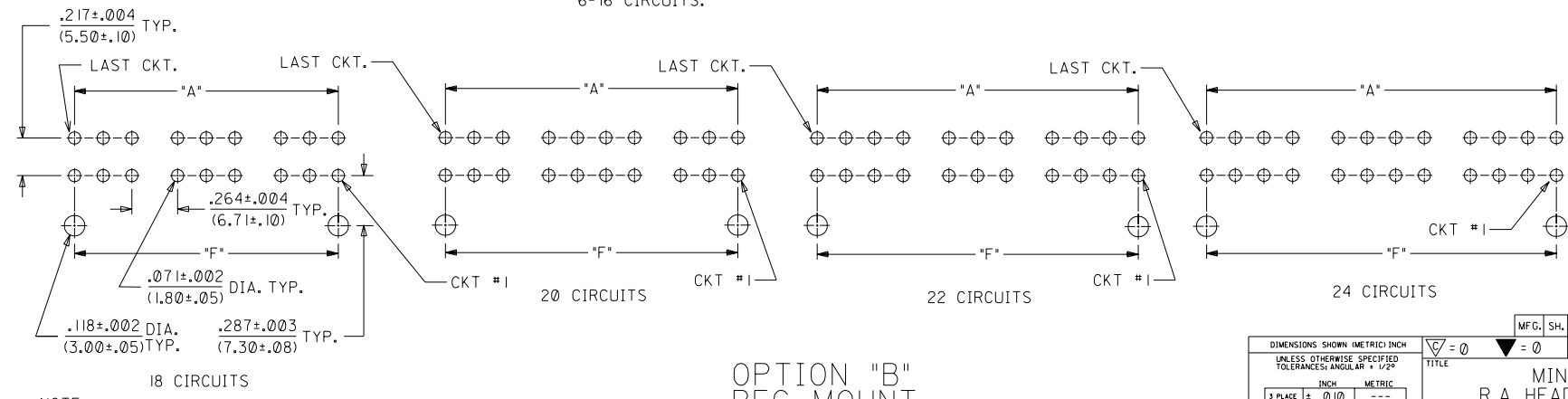
PEG MOUNT OPTION				
CKT. SIZE	ENG. NO.	DIM. "A"	DIM. "B"	DIM. "F"
2	A30070-02B*	---	.213 (5.40)	---
4	A30070-04B*	.165 (4.20)	.378 (9.60)	.16 (4.2)
6	A30070-06B*	.331 (8.40)	.543 (13.80)	.33 (8.4)
8	A30070-08B*	.496 (12.60)	.709 (18.00)	.50 (12.6)
10	A30070-10B*	.661 (16.80)	.874 (22.20)	.66 (16.8)
12	A30070-12B*	.827 (21.00)	1.039 (26.40)	.83 (21.0)
14	A30070-14B*	.992 (25.20)	1.205 (30.60)	.99 (25.2)
16	A30070-16B*	1.157 (29.40)	1.370 (34.80)	1.16 (29.4)
18	A30070-18B*	1.520 (38.60)	1.732 (44.00)	1.52 (38.6)
20	A30070-20B*	1.685 (42.80)	1.898 (48.20)	1.69 (42.8)
22	A30070-22B*	1.850 (47.00)	2.063 (52.40)	1.85 (47.0)
24	A30070-24B*	2.016 (51.20)	2.228 (56.60)	2.02 (51.2)



RECOMMENDED HOLE LAYOUT FOR .070/(1.78) MAX. P.C. BOARD

VIEWED FROM COMPONENT SIDE OF BOARD

NOTE:  
DIMENSIONS SHOWN IN THIS VIEW ARE TYPICAL FOR ALL P.C.B. CONFIGURATIONS FROM 6-16 CIRCUITS.



OPTION "B"  
PEG MOUNT

RECOMMENDED P.C. BOARD LAYOUT

NOTE:  
DIMENSIONS SHOWN IN THIS VIEW ARE TYPICAL FOR ALL P.C.B. CONFIGURATIONS OVER 18 CKTS.

K	SEE SHEET 1
J	SEE SHEET 1

DIMENSIONS SHOWN (METRIC) INCH		= 0		= 0		REVISE ONLY ON CAD SYSTEM	
UNLESS OTHERWISE SPECIFIED TOLERANCES: ANGULAR ± 1/2°							
INCH		METRIC					
5 PLACE	± .010	---					
2 PLACE	± .014	± 0.25					
1 PLACE	---	± 0.36					
DRAFT WHERE APPLICABLE MUST REMAIN WITHIN DIMENSIONS							
DRWG. BY	DMF	CHK'D. BY	JRT	PART NO.		DRWG. NO.	
APP'D. BY	SC	SCALE	2: 1	SEE CHARTS		SDA-30070-****	
FILE NAME				S30070DX3		DIV.	
MFG. SH.				REV.		LTR.	
MOLEX INC. AND SHOULD NOT BE USED WITHOUT WRITTEN PERMISSION				CP		C	

TITLE  
MINI-FIT T.P.A.  
R.A. HEADER ASSEMBLY

MOLEX INCORPORATED  
L15LEJLL 60532 U.S.A.

SHEET NO. 3 DATE 06/15/90

	13	12	11	10	9	8	7	6	30070				4	3	2	1									
	PART NUMBER	ENG. NUMBER	CKT. SIZE	MTG. OPT.	PLATING (200 MI)	HSG. MAT'L.	PART NUMBER	ENG. NUMBER	CKT. SIZE	MTG. OPT.	PLATING	HSG. MAT'L.	PART NUMBER	ENG. NUMBER	CKT. SIZE	MTG. OPT.	PLATING	HSG. MAT'L.	PART NUMBER	ENG. NUMBER	CKT. SIZE	MTG. OPT.	PLATING	HSG. MAT'L.	
J	15-97-8022	A-30070-02A3	2	FLNG	TIN	94V-0	NO E.D.P.		2				15-97-8023	A-30070-02B3	2	PEGS	TIN	94V-0			2				
	15-97-8042	A-30070-04A3	4	▲	▲	▲	▲		4	▲	▲	▲	15-97-8043	A-30070-04B3	4	▲	▲	▲			4	▲	▲	▲	
	15-97-8062	A-30070-06A3	6						6				REL TO MFG	A-30070-06B3	6						6				
	15-97-8082	A-30070-08A3	8						8				▲	A-30070-08B3	8						8				
	15-97-8102	A-30070-10A3	10						10				▲	A-30070-10B3	10						10				
	15-97-8122	A-30070-12A3	12						12				▲	A-30070-12B3	12						12				
	REL TO MFG	A-30070-14A3	14						14				▼	A-30070-14B3	14						14				
I	15-97-8162	A-30070-16A3	16						16				REL TO MFG	A-30070-16B3	16						16				
	NO E.D.P.	A-30070-18A3	18						18				NO E.D.P.	A-30070-18B3	18						18				
	NO E.D.P.	A-30070-20A3	20						20				NO E.D.P.	A-30070-20B3	20						20				
	NO E.D.P.	A-30070-22A3	22						22				NO E.D.P.	A-30070-22B3	22						22				
	NO E.D.P.	A-30070-24A3	24	FLNG	TIN	94V-0	NO E.D.P.		24				NO E.D.P.	A-30070-24B3	24	PEGS	TIN	94V-0			24				
H	PART NUMBER	ENG. NUMBER	CKT. SIZE	MTG. OPT.	PLATING (30 MI)	HSG. MAT'L.	PART NUMBER	ENG. NUMBER	CKT. SIZE	MTG. OPT.	PLATING	HSG. MAT'L.	PART NUMBER	ENG. NUMBER	CKT. SIZE	MTG. OPT.	PLATING (30 MI)	HSG. MAT'L.	PART NUMBER	ENG. NUMBER	CKT. SIZE	MTG. OPT.	PLATING	HSG. MAT'L.	
	15-97-8027	A-30070-02A1	2	FLNG	GOLD	94V-0			2				15-97-8028	A-30070-02B1	2	PEGS	GOLD	94V-0			2				
	15-97-8047	A-30070-04A1	4	▲	▲	▲	▲		4	▲	▲	▲	15-97-8048	A-30070-04B1	4	▲	▲	▲	▲		4	▲	▲	▲	
	15-97-8067	A-30070-06A1	6						6				REL TO MFG	A-30070-06B1	6						6				
	15-97-8087	A-30070-08A1	8						8				▲	A-30070-08B1	8						8				
	15-97-8107	A-30070-10A1	10						10				▲	A-30070-10B1	10						10				
	15-97-8127	A-30070-12A1	12						12				▲	A-30070-12B1	12						12				
G	REL TO MFG	A-30070-14A1	14						14				▼	A-30070-14B1	14						14				
	15-97-8167	A-30070-16A1	16						16				REL TO MFG	A-30070-16B1	16						16				
	NO E.D.P.	A-30070-18A1	18						18				NO E.D.P.	A-30070-18B1	18						18				
	NO E.D.P.	A-30070-20A1	20						20				NO E.D.P.	A-30070-20B1	20						20				
	NO E.D.P.	A-30070-22A1	22						22				NO E.D.P.	A-30070-22B1	22						22				
	NO E.D.P.	A-30070-24A1	24	FLNG	GOLD	94V-0			24				NO E.D.P.	A-30070-24B1	24	PEGS	GOLD	94V-0			24				
F	PART NUMBER	ENG. NUMBER	CKT. SIZE	MTG. OPT.	PLATING	HSG. MAT'L.	PART NUMBER	ENG. NUMBER	CKT. SIZE	MTG. OPT.	PLATING	HSG. MAT'L.	PART NUMBER	ENG. NUMBER	CKT. SIZE	MTG. OPT.	PLATING	HSG. MAT'L.	PART NUMBER	ENG. NUMBER	CKT. SIZE	MTG. OPT.	PLATING	HSG. MAT'L.	
			2						2						2						2				
			4	▲	▲	▲			4	▲	▲	▲			4	▲	▲	▲			4	▲	▲	▲	
			6						6						6						6				
			8						8						8						8				
			10						10						10						10				
E			12						12						12						12				
			14						14						14						14				
			16						16						16						16				
			18						18						18						18				
			20						20						20						20				
			22	▼		▼			22	▼	▼	▼			22	▼		▼	▼		22	▼		▼	▼
D			24						24						24						24				
C																									
B																									
A																									
	13	12	11	10	9	8	7	6	5	4	3	2	1												

<p>REVISIONS</p> <table border="1"> <tr><td>E1</td><td>SEE SHT. I</td><td>A</td><td>SEE SHT. I</td></tr> <tr><td>F</td><td>SEE SHT. I</td><td>A1</td><td>SEE SHT. I</td></tr> <tr><td>LTR.</td><td>REVISIONS</td><td>LTR.</td><td>REVISIONS</td></tr> </table>										E1	SEE SHT. I	A	SEE SHT. I	F	SEE SHT. I	A1	SEE SHT. I	LTR.	REVISIONS	LTR.	REVISIONS	<p>DIMENSIONS SHOWN (METRIC) INCH</p> <p>UNLESS OTHERWISE SPECIFIED TOLERANCES ANGULAR ± .1/2°</p> <table border="1"> <tr><td>3 PLACE</td><td>± .---</td><td>---</td></tr> <tr><td>2 PLACE</td><td>± .---</td><td>---</td></tr> <tr><td>1 PLACE</td><td>± .---</td><td>---</td></tr> </table> <p>DRAFT WHERE APPLICABLE MUST REMAIN WITHIN DIMENSIONS</p> <p>DRWG. BY: DMF CHK'D. BY: JRT</p> <p>APP'D. BY: SC SCALE: -- : --</p>					3 PLACE	± .---	---	2 PLACE	± .---	---	1 PLACE	± .---	---	<p>▽ = 0 ▽ = 0</p> <p>REVISE ONLY ON CAD SYSTEM</p> <p>TITLE: MINI-FIT T.P.A. R.A. HEADER ASSEMBLY</p> <p>MOLEX INCORPORATED</p> <p>FILE NAME: 530070DX4 DCH</p> <p>SHEET NO. 4 DATE 06/15/90</p> <p>PART NO. SEE CHART</p> <p>DRWG. NO. SDA-30070-----</p> <p>THIS DRAWING CONTAINS INFORMATION THAT IS PROPRIETARY TO MOLEX INC. AND SHOULD NOT BE USED WITHOUT WRITTEN PERMISSION.</p> <p>DIV. SIZE CP C</p>				
E1	SEE SHT. I	A	SEE SHT. I																																					
F	SEE SHT. I	A1	SEE SHT. I																																					
LTR.	REVISIONS	LTR.	REVISIONS																																					
3 PLACE	± .---	---																																						
2 PLACE	± .---	---																																						
1 PLACE	± .---	---																																						