

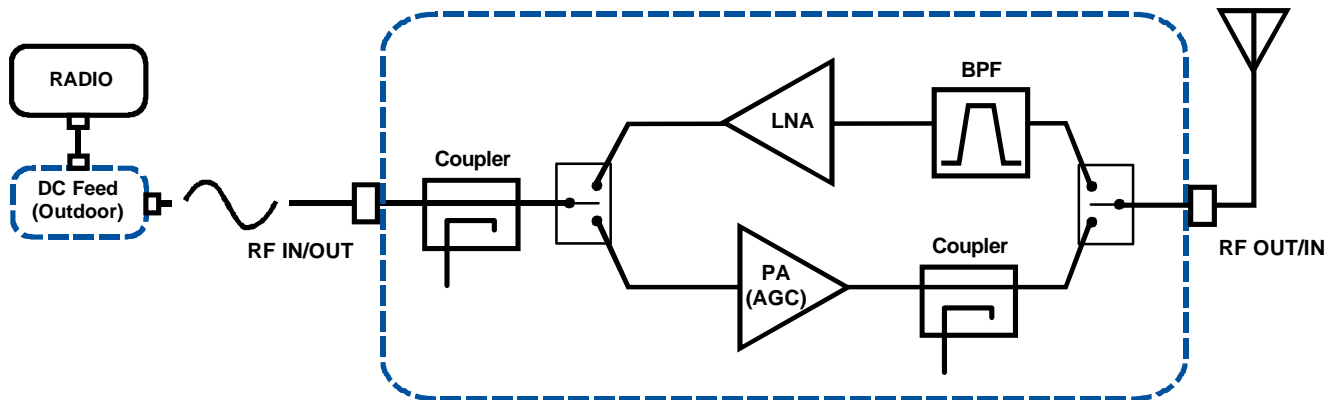


The Antennafier™ 4900-5800CA series Bi-Directional Amplifier modules are intended for OEM applications where size, performance and cost are optimized. Using an Antennafier™ in front of your 802.11a radio will significantly improve link reliability and operating range by providing Low Noise Amplification in Receive, and Spectrally Clean Power Amplification during Transmit.

Featured Highlights:

- Automatic Gain Controlled (AGC)
- RF Transmit Power 500mW Avg, 1500mW Peak
- Low Receive Noise Figure
- High Dynamic Range
- 802.11a compatible
- TX/RX LED Indicator
- Removable Heat Sink
- Automatically senses incoming RF signal

**ANTENNAFIER™ 4900-5800 CA SERIES
BLOCK DIAGRAM**



The marketing, sale, and use of power amplification devices are governed by and subject to Part 15 of the Rules and Regulations of the Federal Communications Commission. Such devices may only be sold to parties assembling certified RF transmission systems consisting of an intentional radiator, an external radio frequency power amplifier, and an antenna.

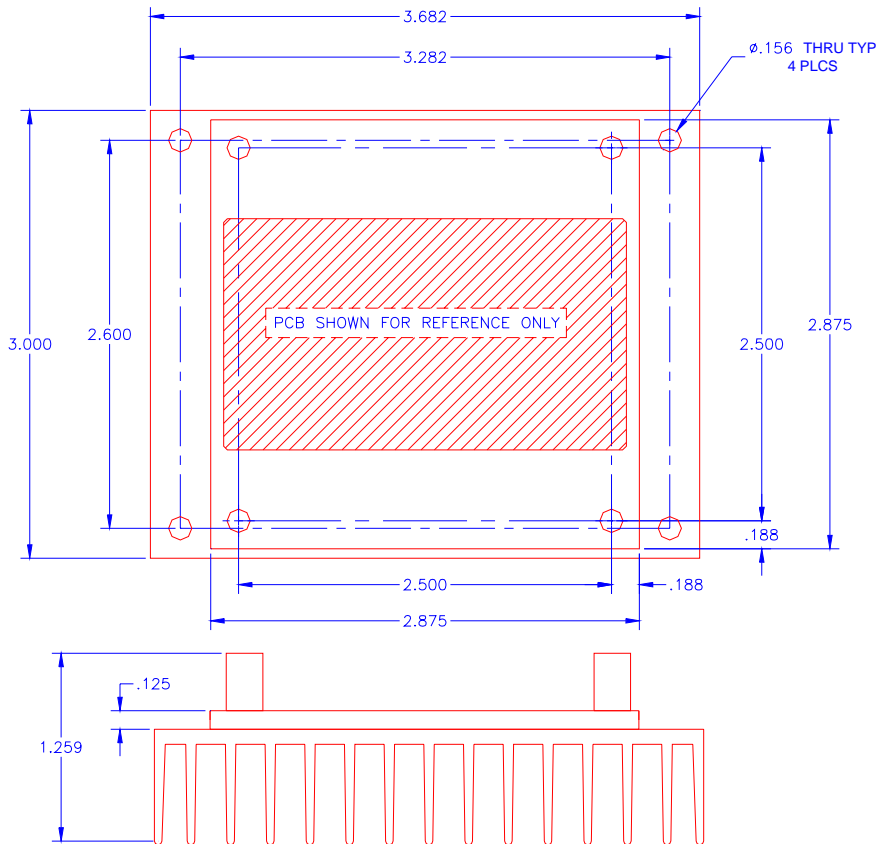
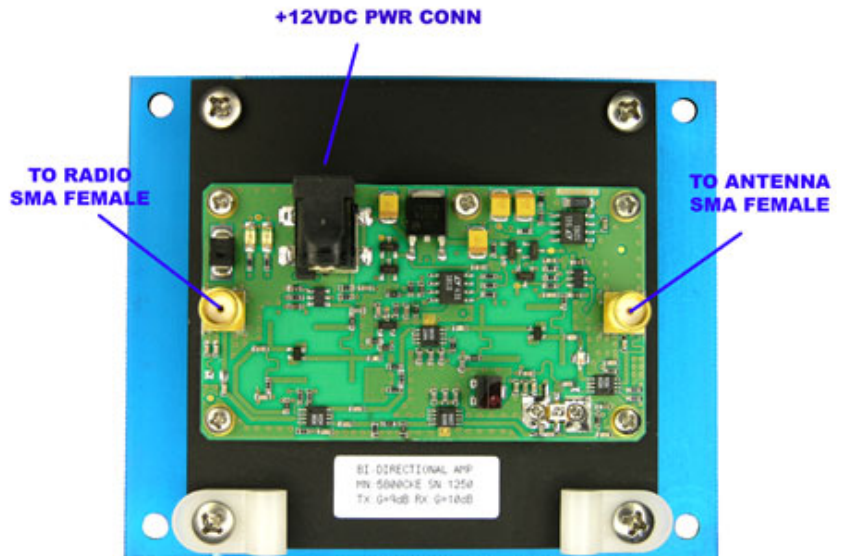
9017 Cincinnati Columbus Rd.
West Chester, Ohio 45069
PH: 513-777-2774

Typical Performance Parameters

Frequency Bands:	Public Safety: 4.940-4.990 GHz U-NII Lower & Middle: 5.15-5.35 GHz CEPT & U-NII Upper: 5.47-5.825 GHz
Supply Voltage:	+12 VDC +/- 5% DC from Power Jack 2.1mm I.D. (+), 5.5mm O.D. (-)
Receive:	Gain: 10 dB +/- 2 dB Noise Figure: 2.5 dB Supply Current: < 250 mA TX to RX Switching: < 500 nSec
Transmit:	AGC Power : Avg Power: 500mW (27dBm) , Pin +5 to +20dBm Peak Power 1500mW (+32dBm) Compression Point: P1dBm = 1500mW (+32dBm) RF Input Power for Turn-On: > 1 dBm Harmonic Rejection: 2fo > 55 dBc, 3fo >70dBc @ Po=+27dBm Supply Current: < 1 A RX to TX Switching: < 500nSec
Maximum Ratings:	Pin (Radio Port) +30 dBm Pin (Antenna Port) +27 dBm
RF Connectors:	"SMA" Female
Size:	2.875" x 2.875" x 0.500" (PCB with 0.090" thick Black Anodized aluminum plate) 3.000" x 3.628" x 1.259" (With added heatsink)
Weight:	< 10 oz
Chassis:	PCB mounted to a 0.090" Thick Black Anodized Aluminum Plate
Indicator LED:	Green—Receive Mode, Red -Transmit Mode
Lightning Suppression:	1/4 wavelength short
Temperature:	-40 to +70 Deg C

9017 Cincinnati Columbus Rd.
West Chester, Ohio 45069
PH: 513-777-2774

Mechanical Footprint and Hookup:



9017 Cincinnati Columbus Rd.
West Chester, Ohio 45069
PH: 513-777-2774

ANTENNAFIER™ Ordering Guide

<u>Indoor Series</u>	<u>Freq Bands</u>	<u>Description</u>
4900 CAE	4940-4990 GHz Public Safety Band	Includes: Amplifier, Heat Sink, Cable Stays & 12VDC Wall Mount Power Supply. Pigtail Cables Sold Separately.
5300 CAE	5.15-5.25 GHz U-NII Lower Band	
	5.25-5.35 GHz U-NII Middle Band	
5800 CAE	5.47-5.725 GHz CEPT	
	5.725-5.825GHz U-NII Upper Band	

- “U” designator in tail end of Part Number denotes user specified parameters, please call for details.
- All AGC amplifiers can be modified to fixed gain, please call for details.

9017 Cincinnati Columbus Rd.
West Chester, Ohio 45069
PH: 513-777-2774