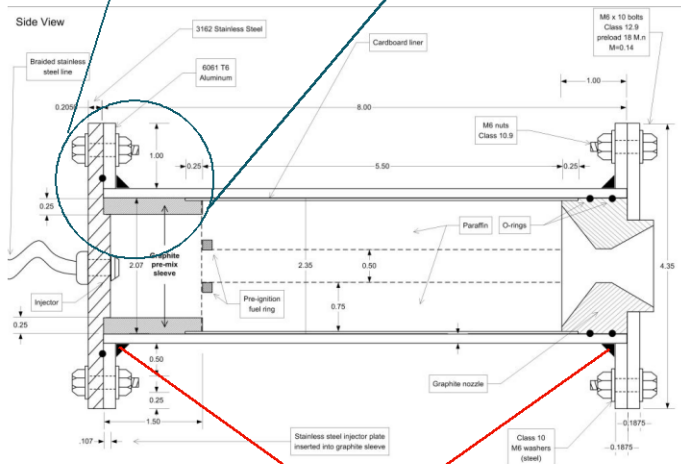
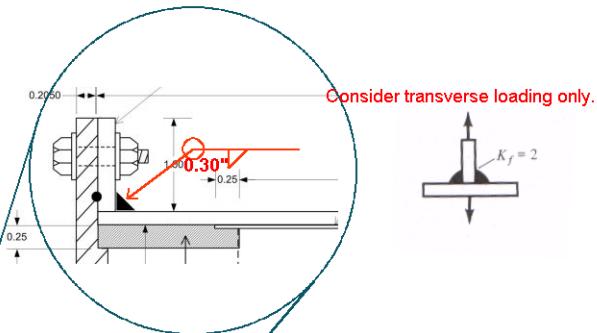


All weld leg sizes : 0.30"
Material welded : 6061-T6 to 6061-T6
Filler Rod : 5356



Two circular fillet welds at either end of combustion chamber.