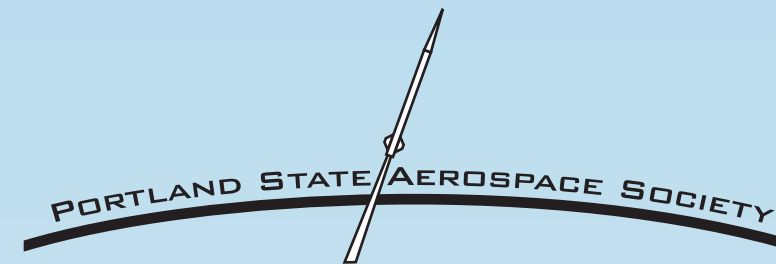
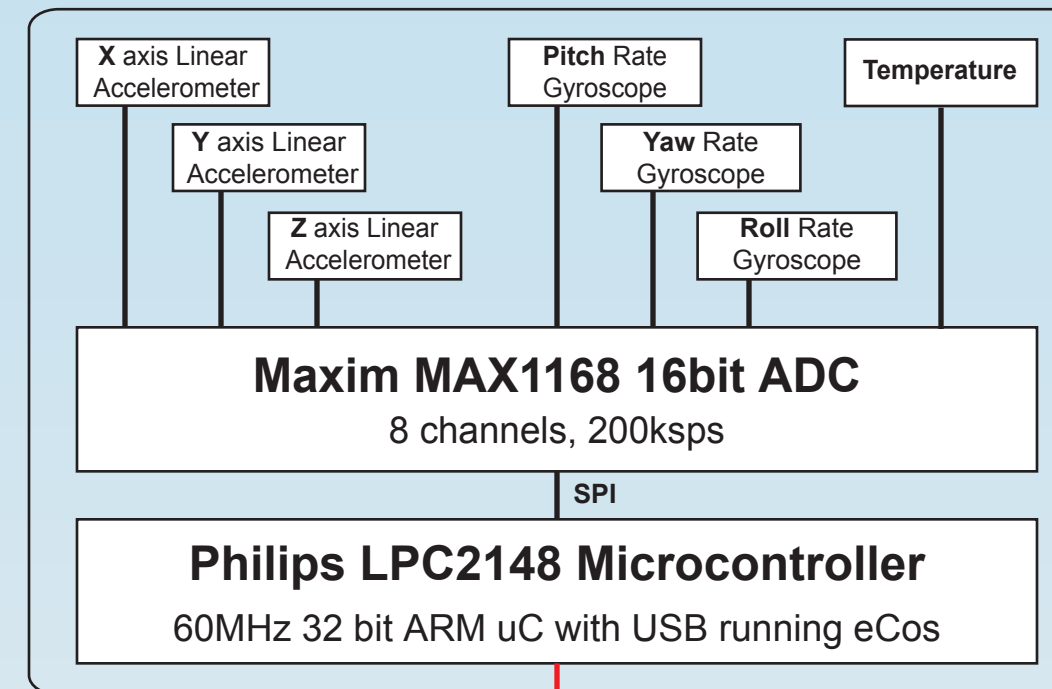


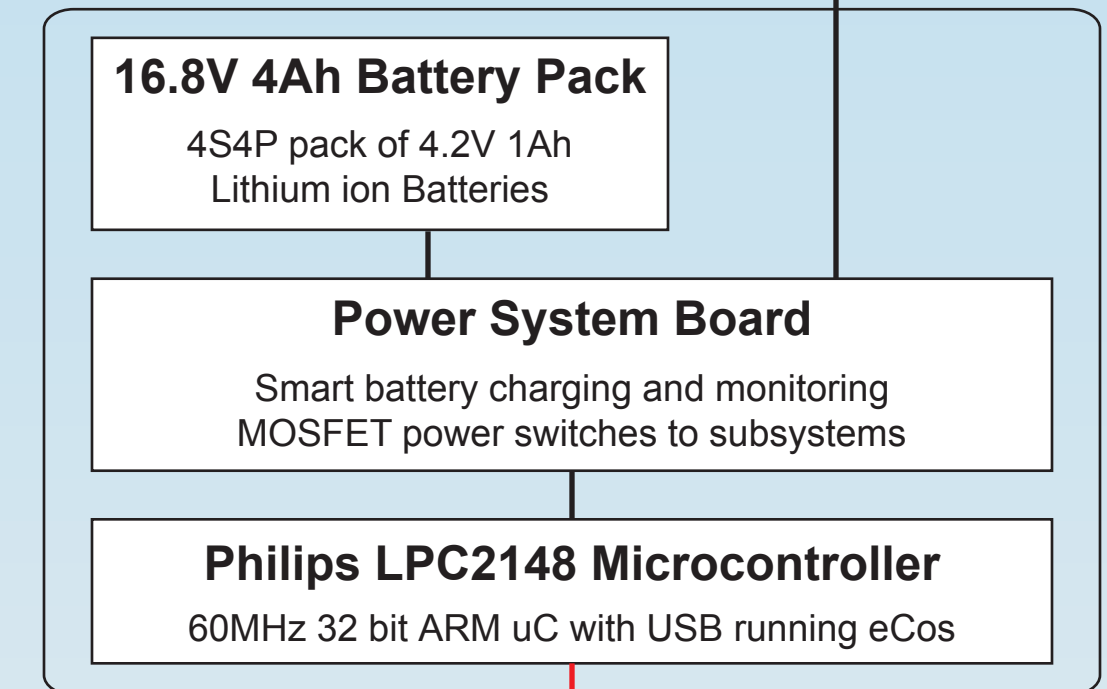
PSAS Avionics System Rev. 2b (AV2b)



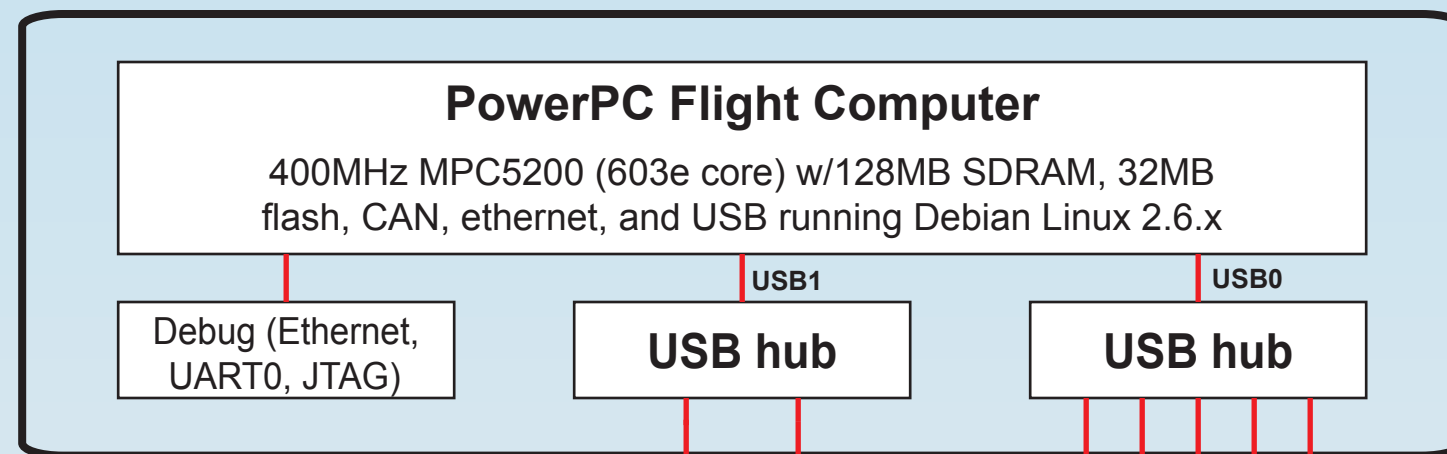
Inertial Measurement Unit



Avionics Power System

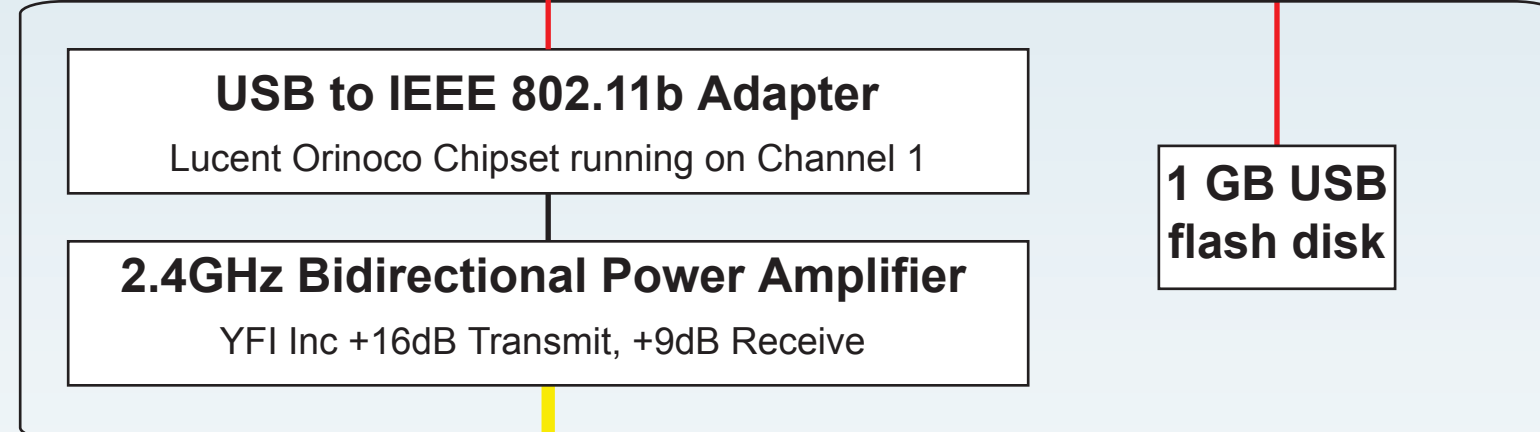


Flight Computer

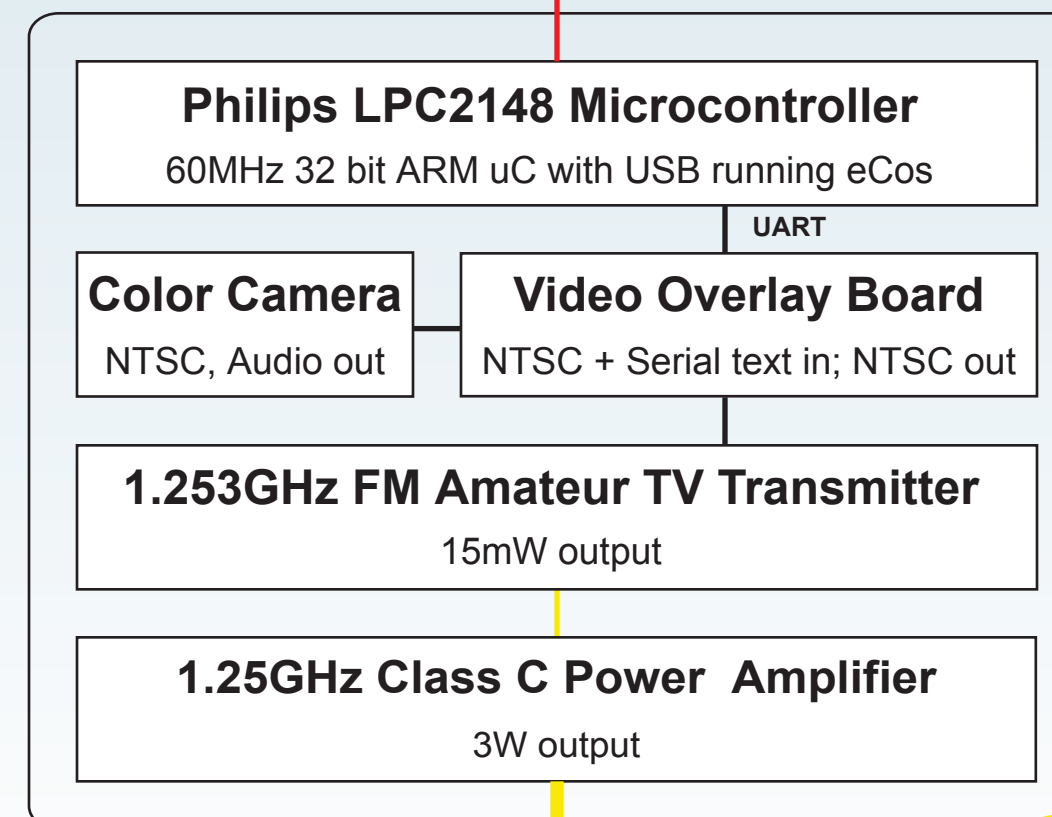


Universal Serial Bus (USB v1.1)

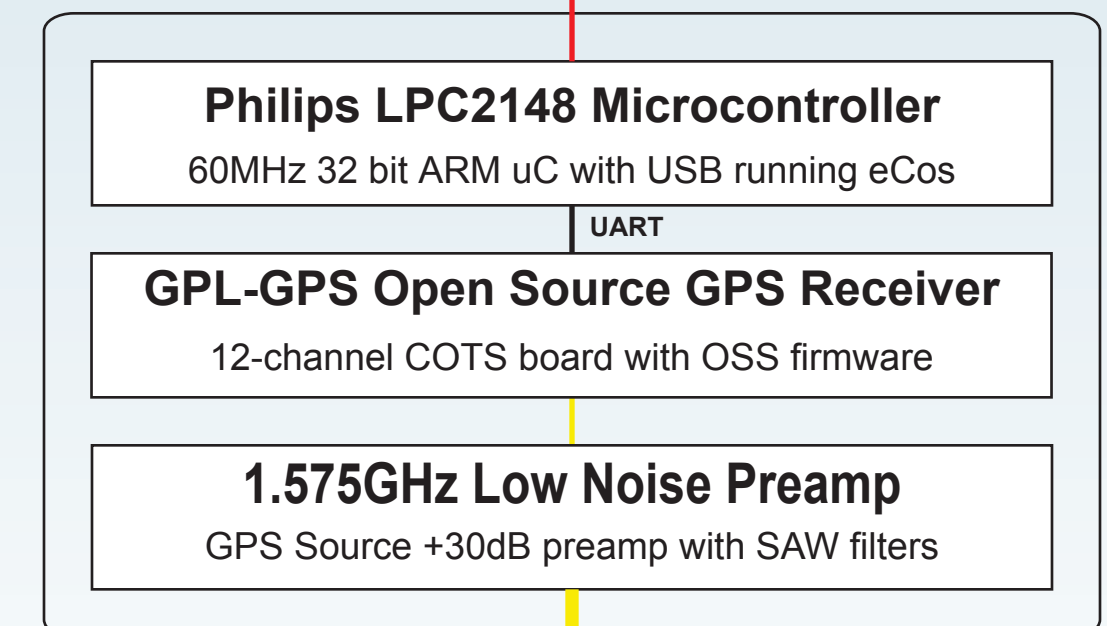
Telemetry



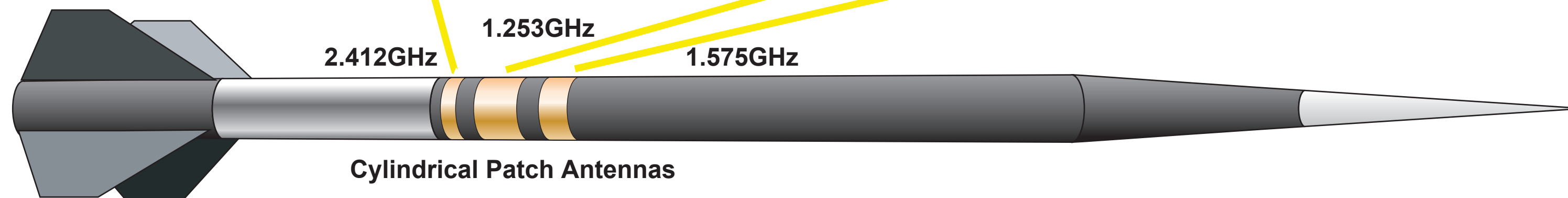
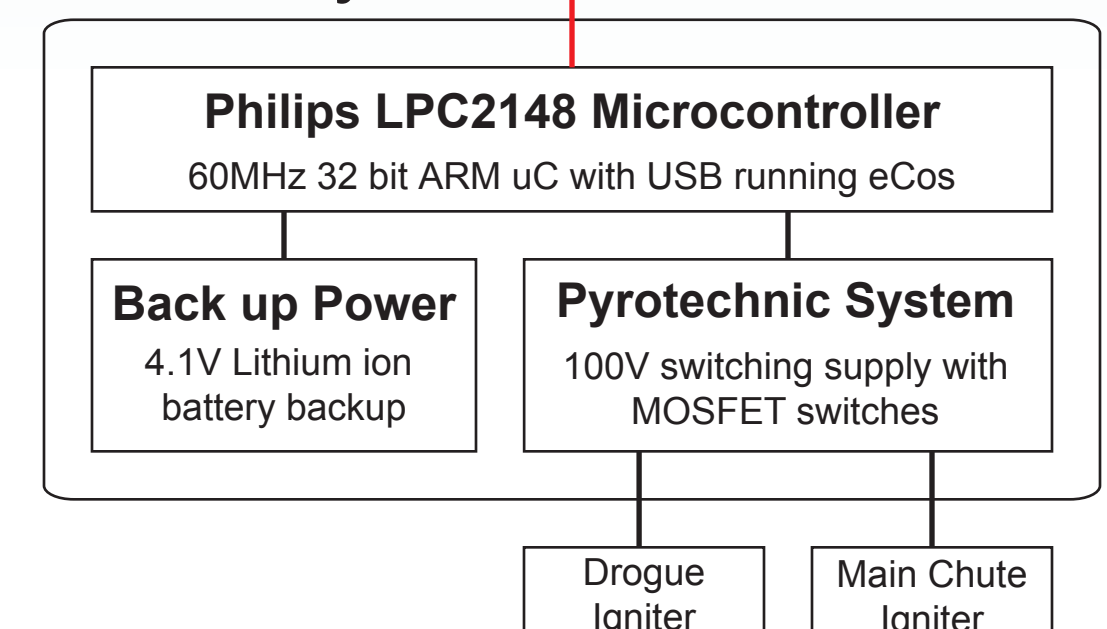
Amateur TV



GPS



Recovery



Cylindrical Patch Antennas