

1

2

3

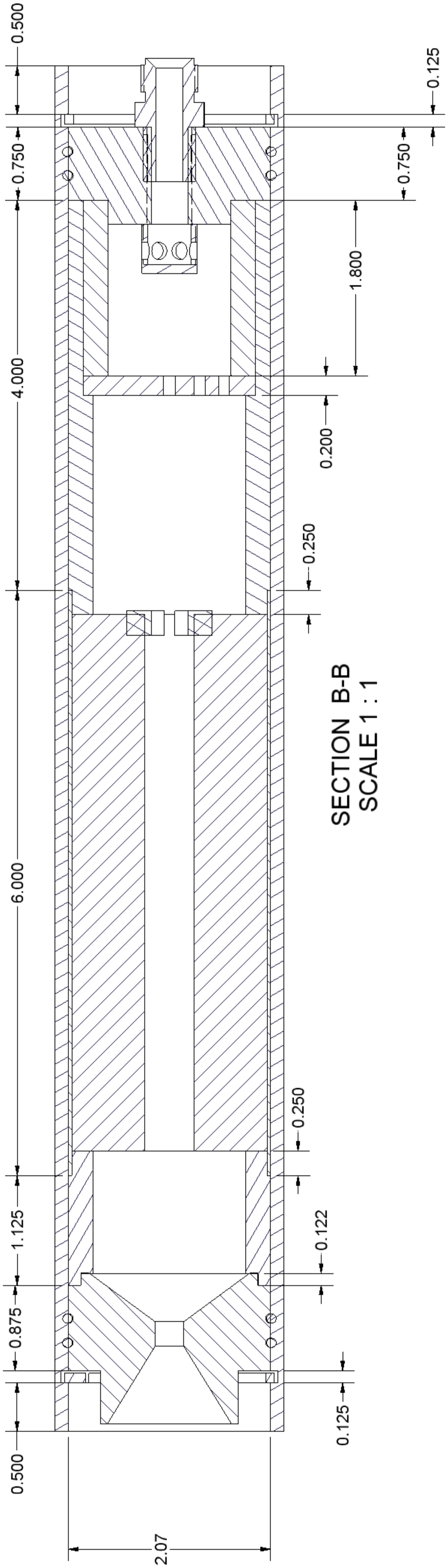
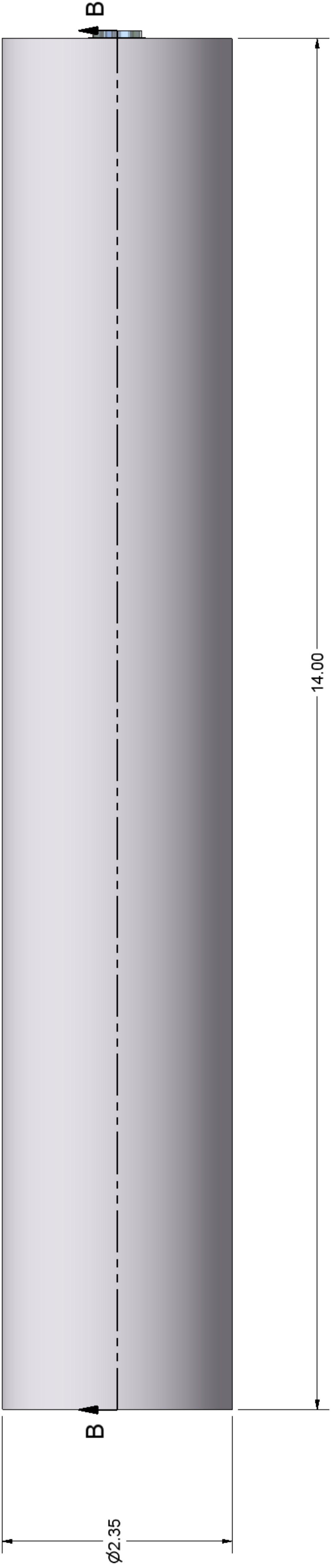
4

D

C

B

A



DRAWN
Brian O'Neel
CHECKED

11/30/2004

TITLE

QA

MFG

APPROVED

SIZE

C

SCALE

DWG NO

hybridver2

REV

1

OF

1

SHEET

1

A

B

C

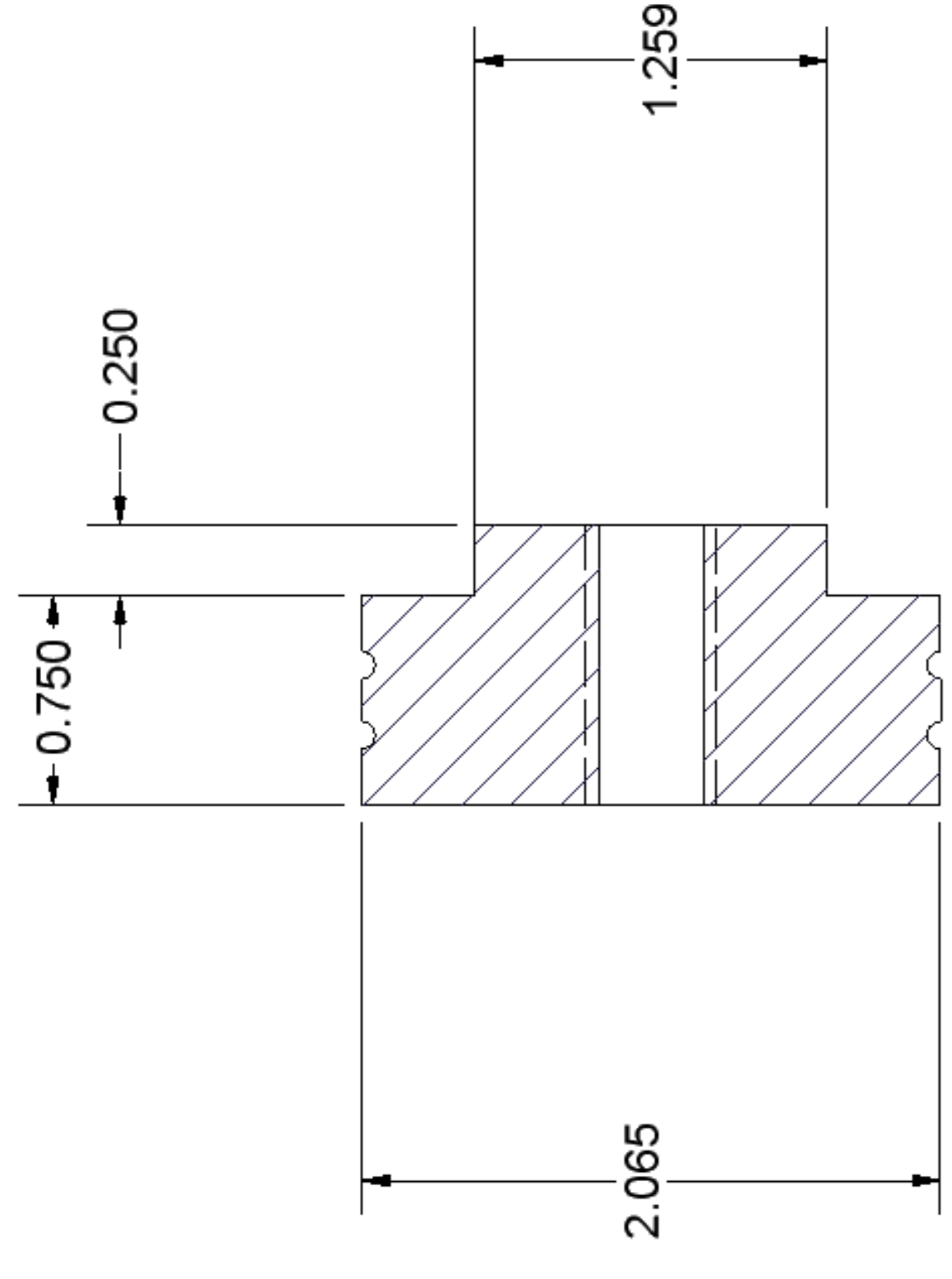
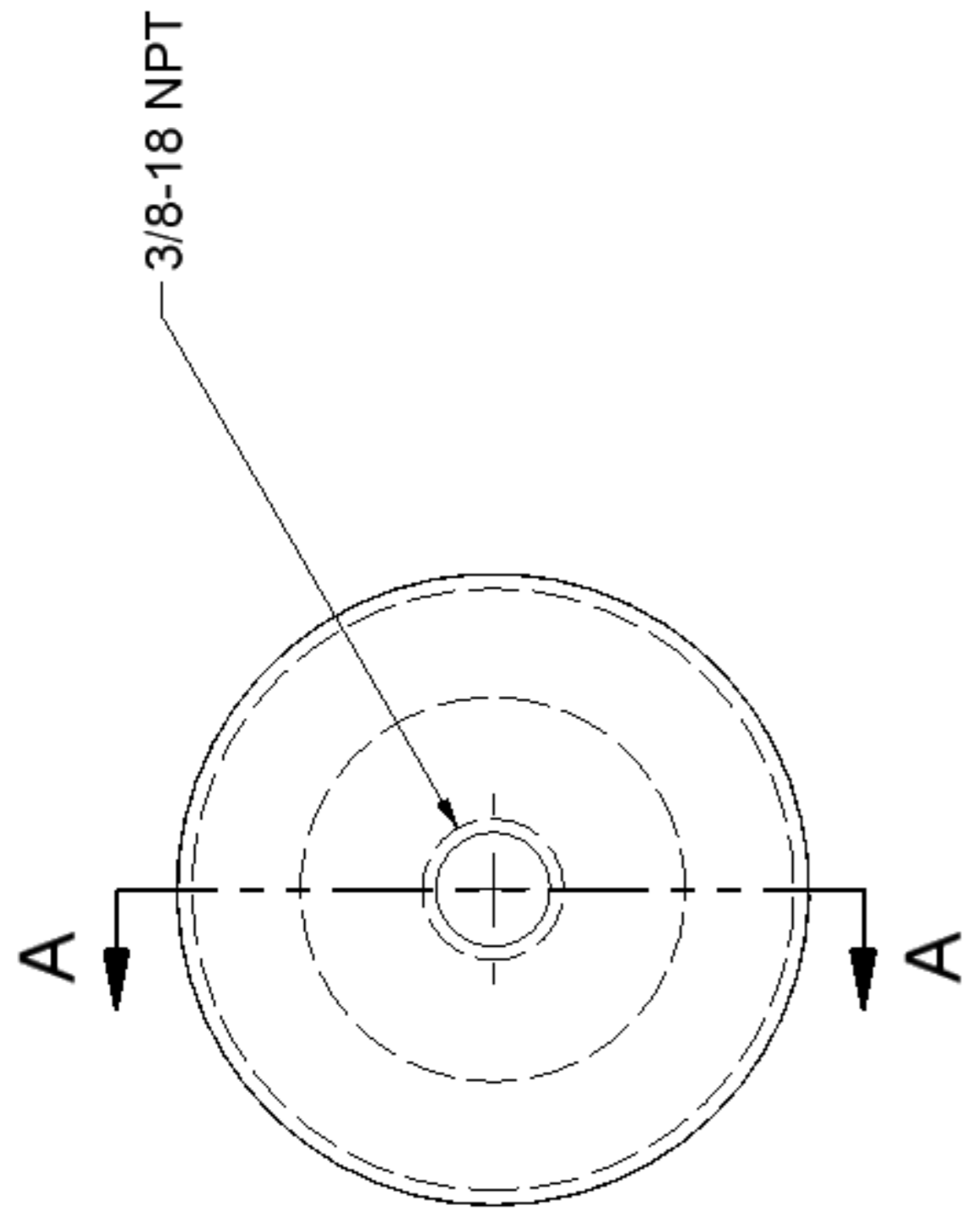
D

4

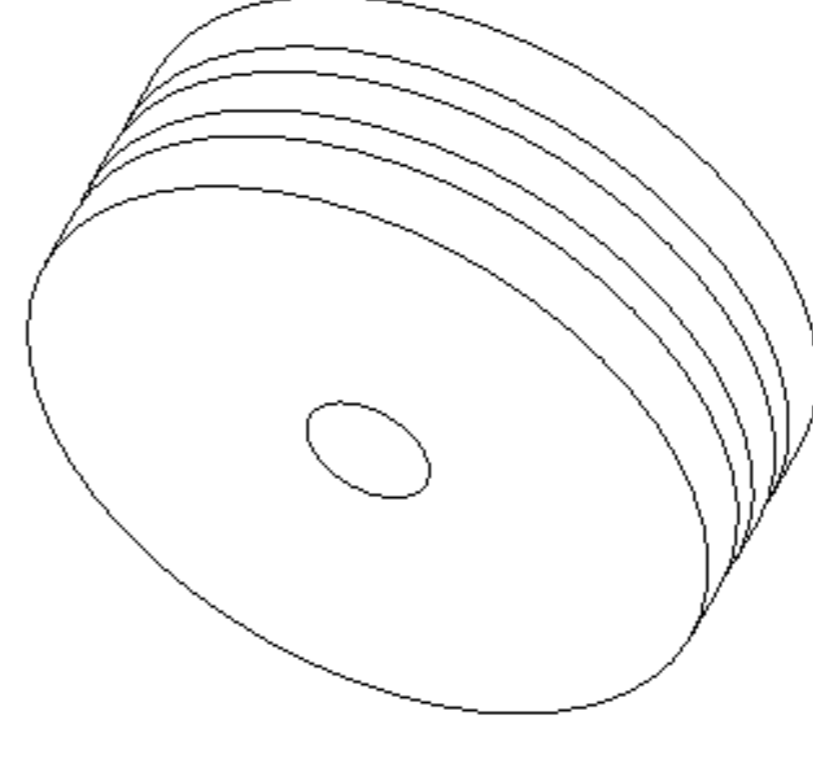
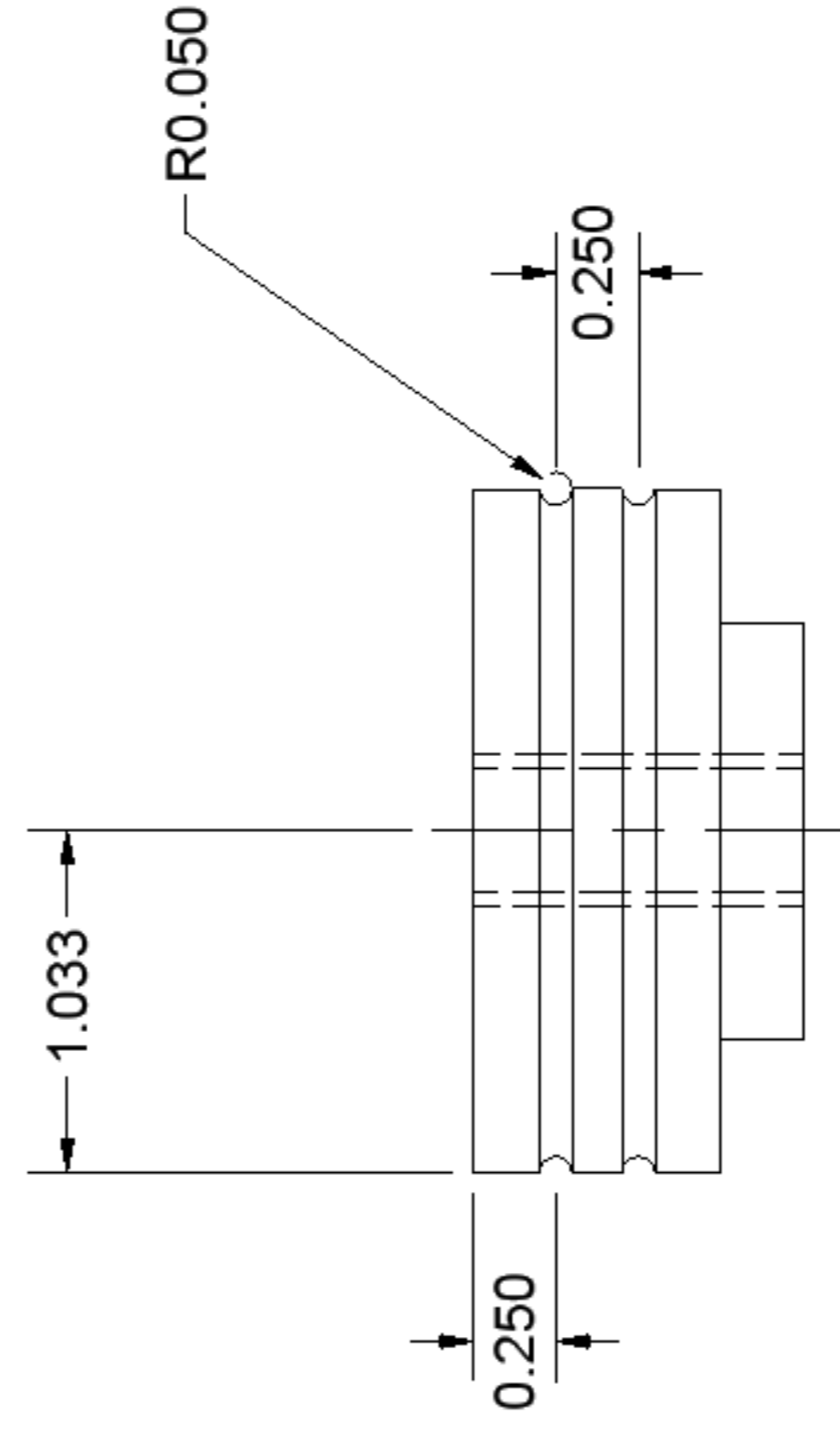
3

2

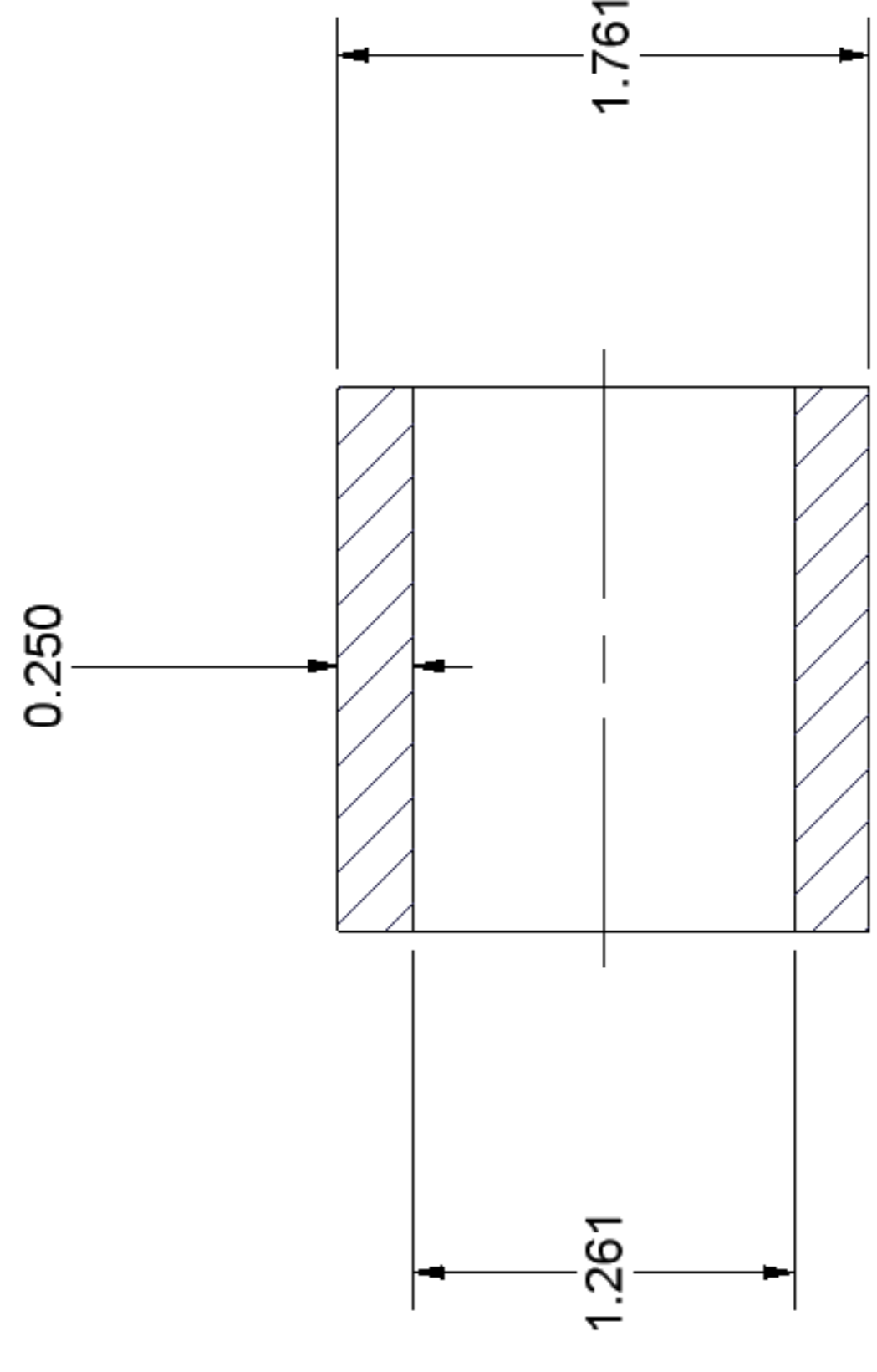
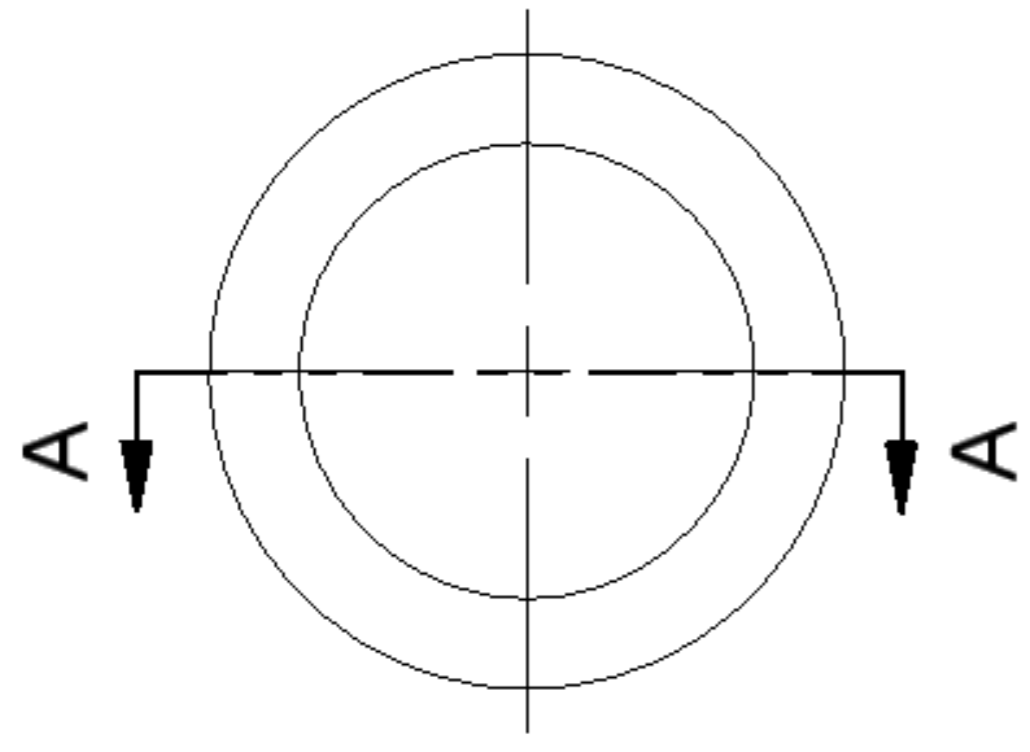
1



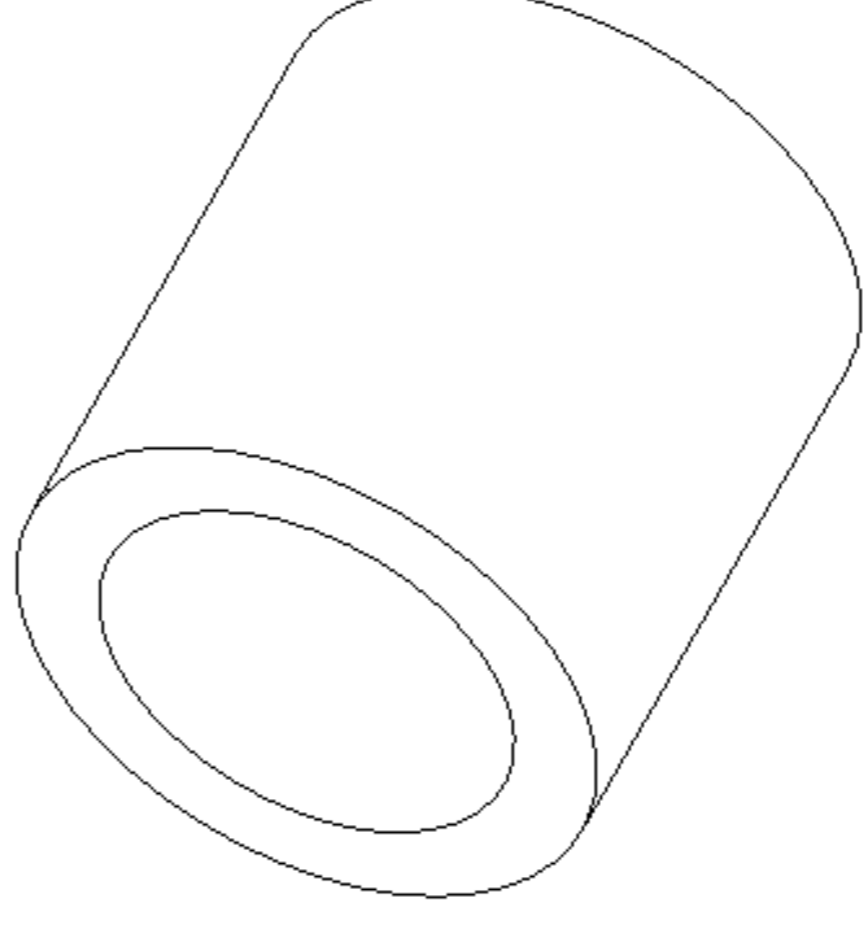
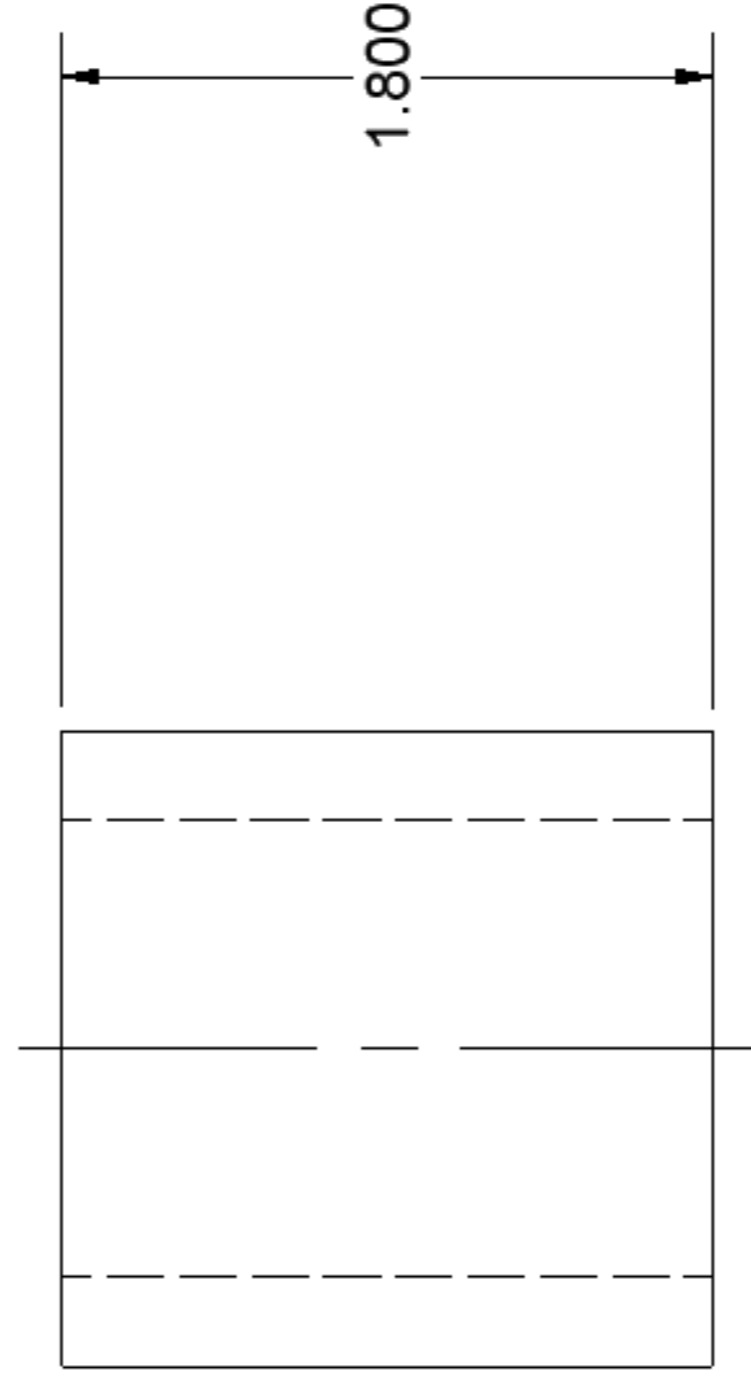
SECTION A-A
SCALE 1 : 1



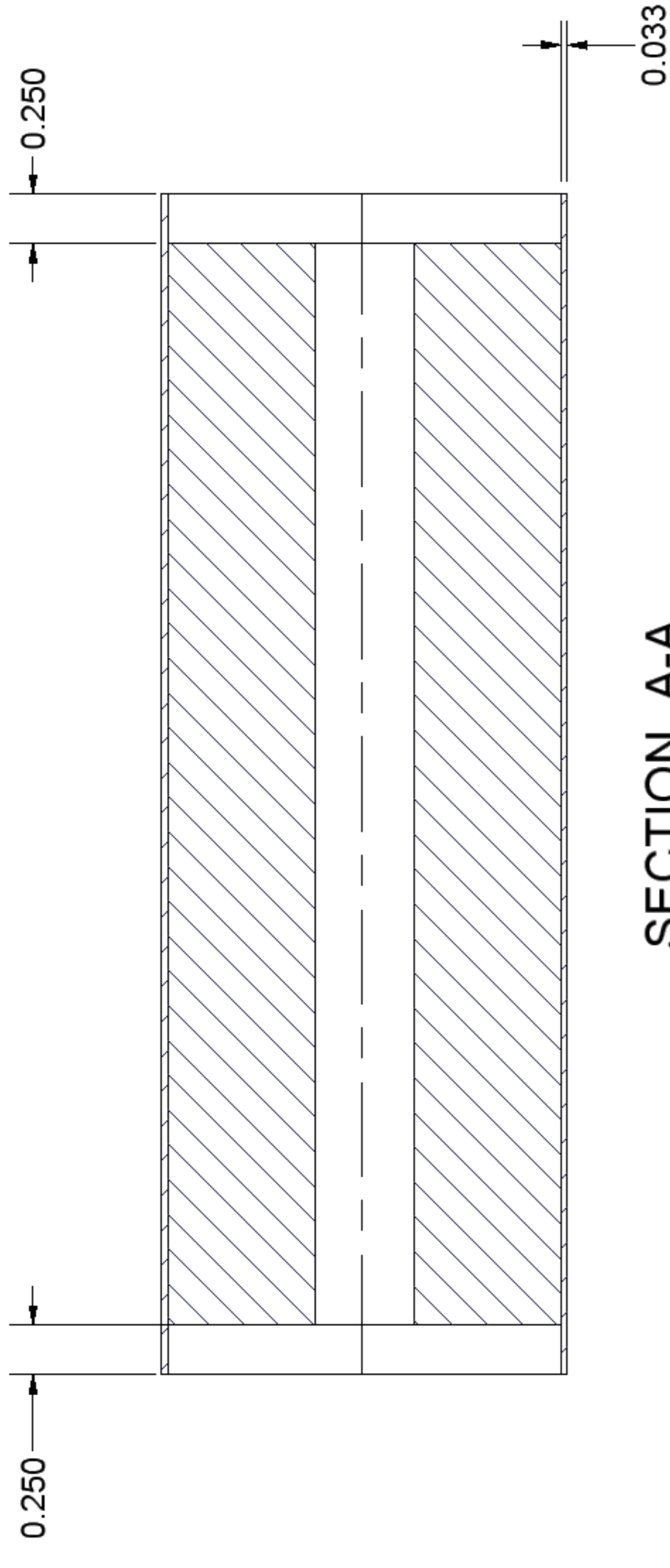
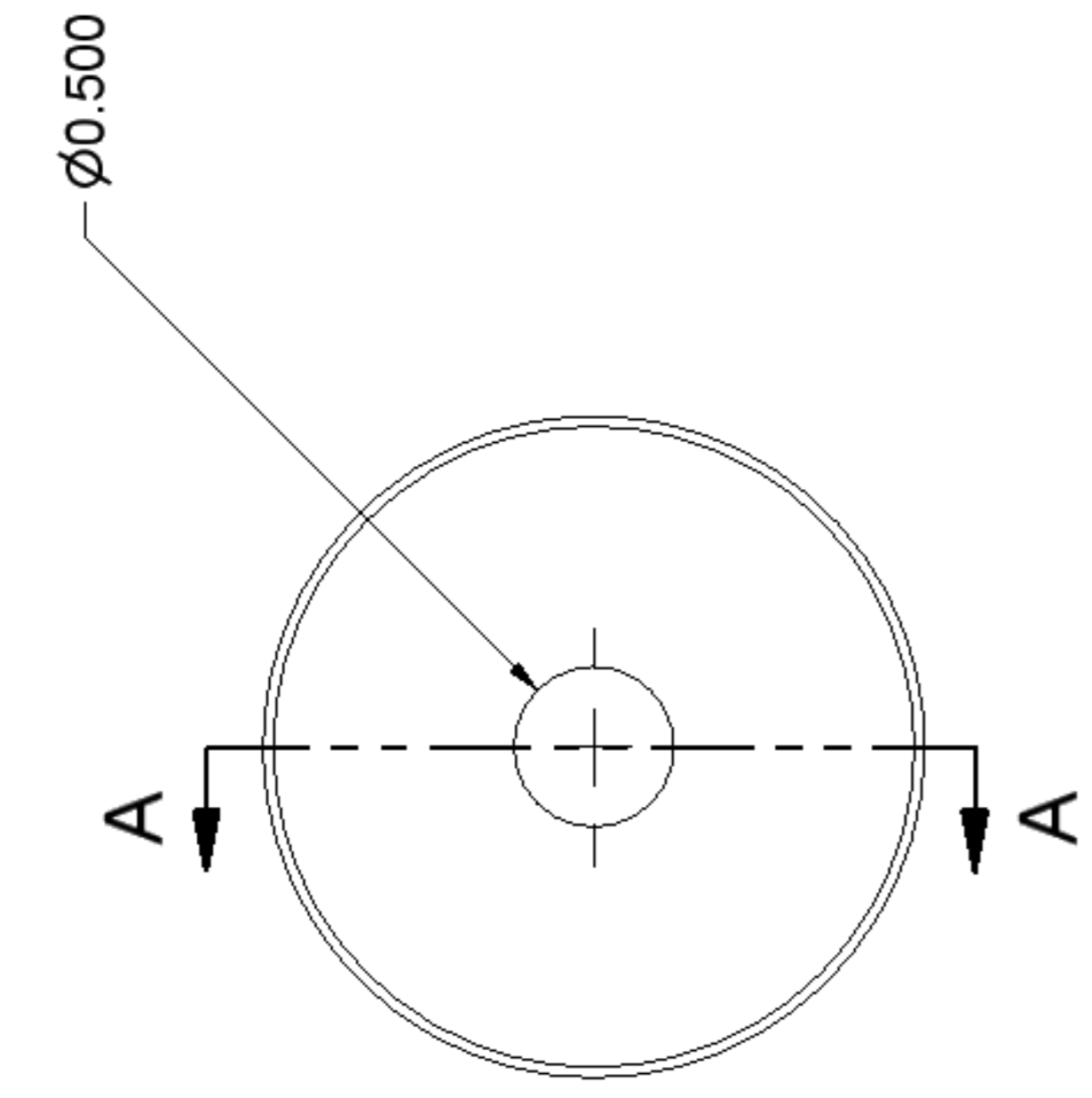
DRAWN	11/22/2004	TITLE	
Brian O'Neel		QA	
CHECKED		MFG	
		APPROVED	
		SIZE	C
		DWG NO	inbulkhead
		SCALE	



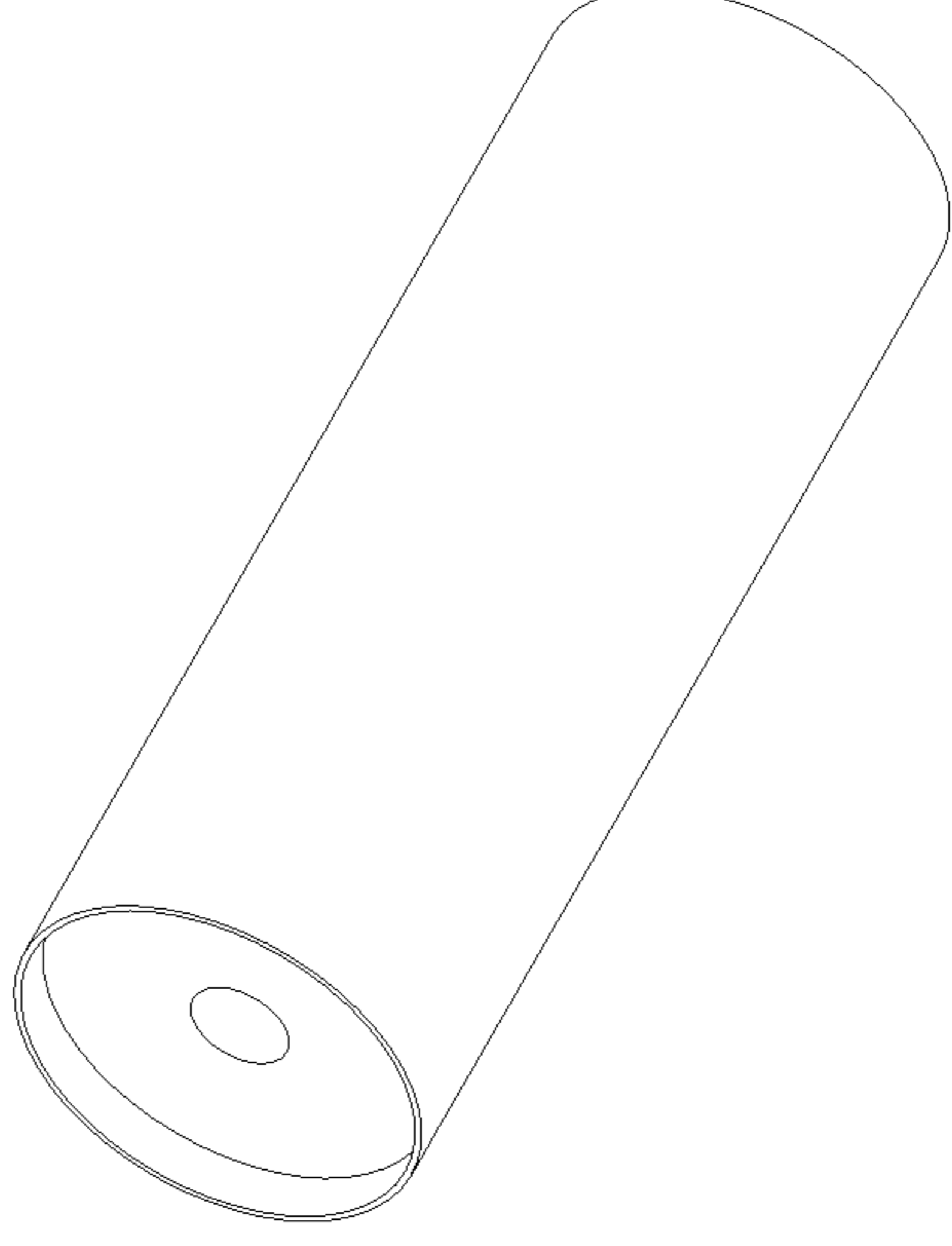
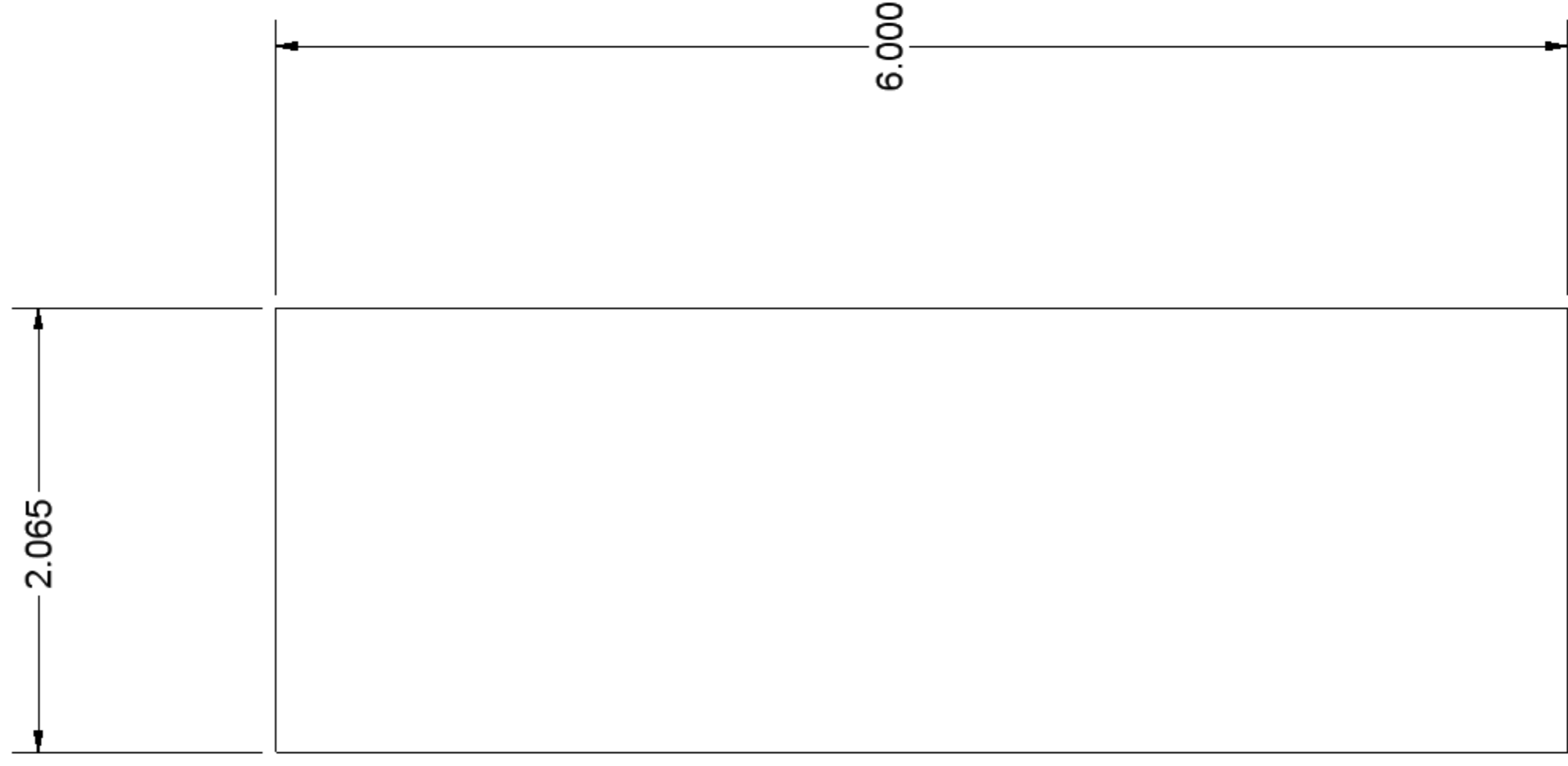
SECTION A-A
SCALE 1 : 1



DRAWN Brian O'Neel	11/22/2004	TITLE
CHECKED		
QA		
MFG		
APPROVED		
	SIZE C	DWG NO premixinner
	SCALE	REV
2	1	SHEET 1 OF 1



SECTION A-A
SCALE 1 : 1



DRAWN	11/22/2004	TITLE
Brian O'Neel		
CHECKED		
QA		
MFG		
APPROVED		
	SIZE	DWG NO
	C	paraffingrain
	SCALE	REV
2		SHEET 1 OF 1

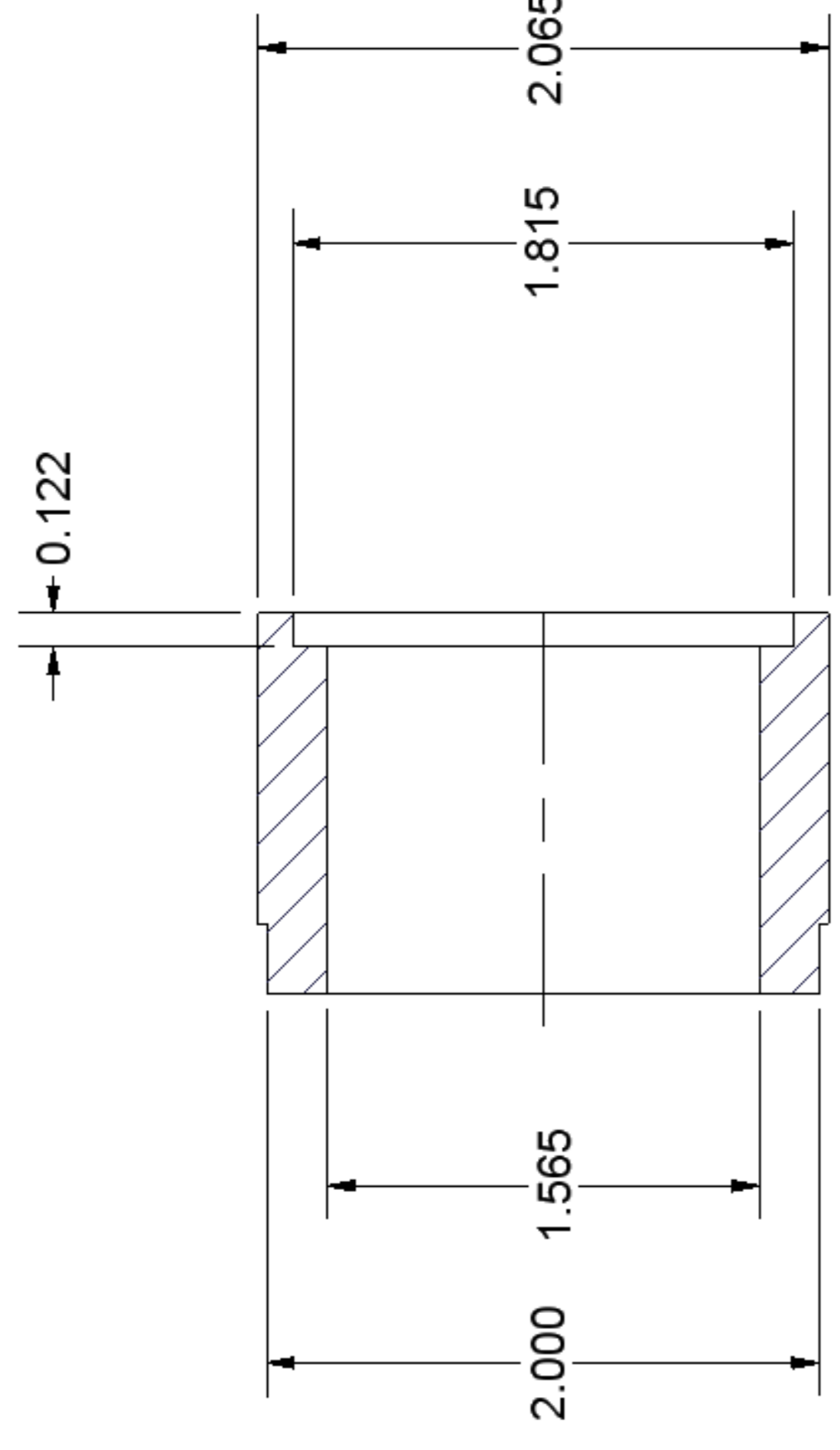
D

C

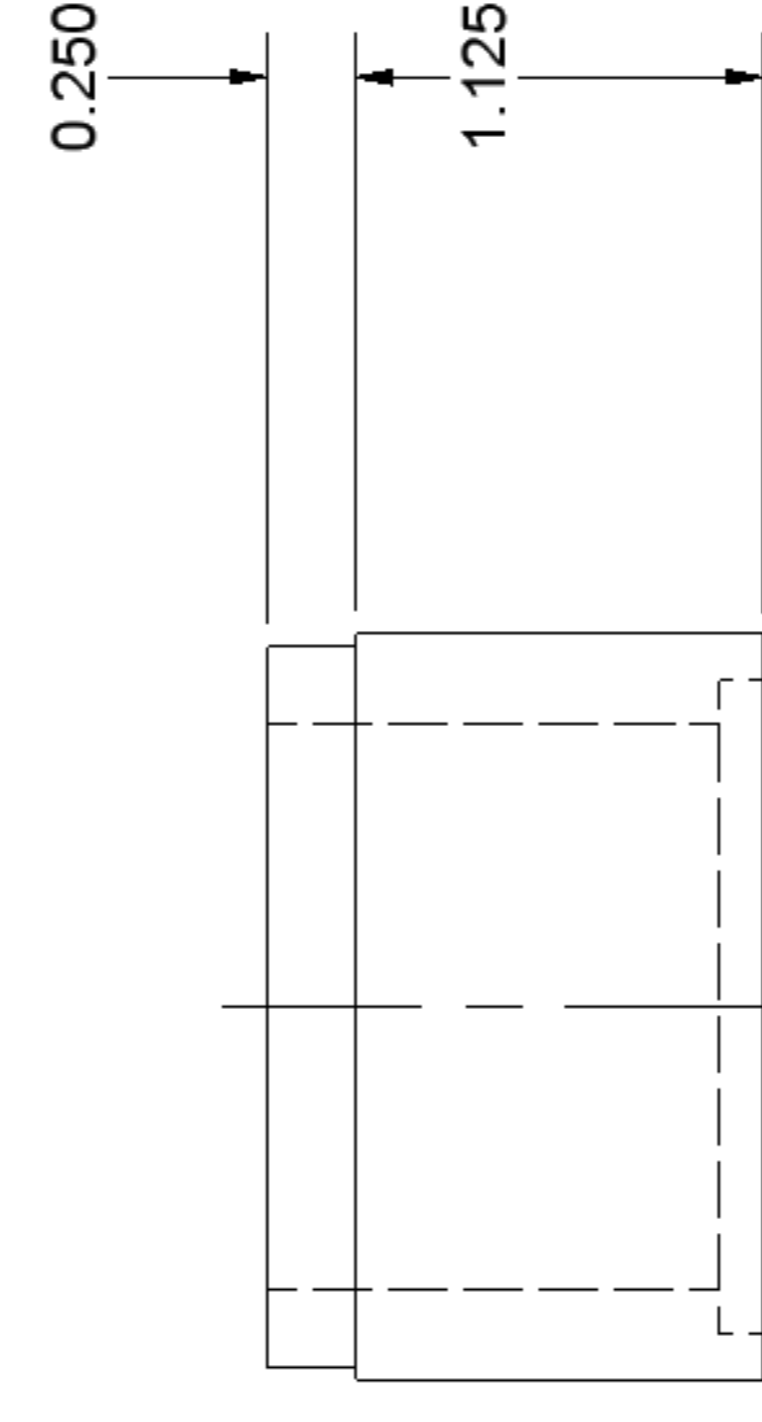
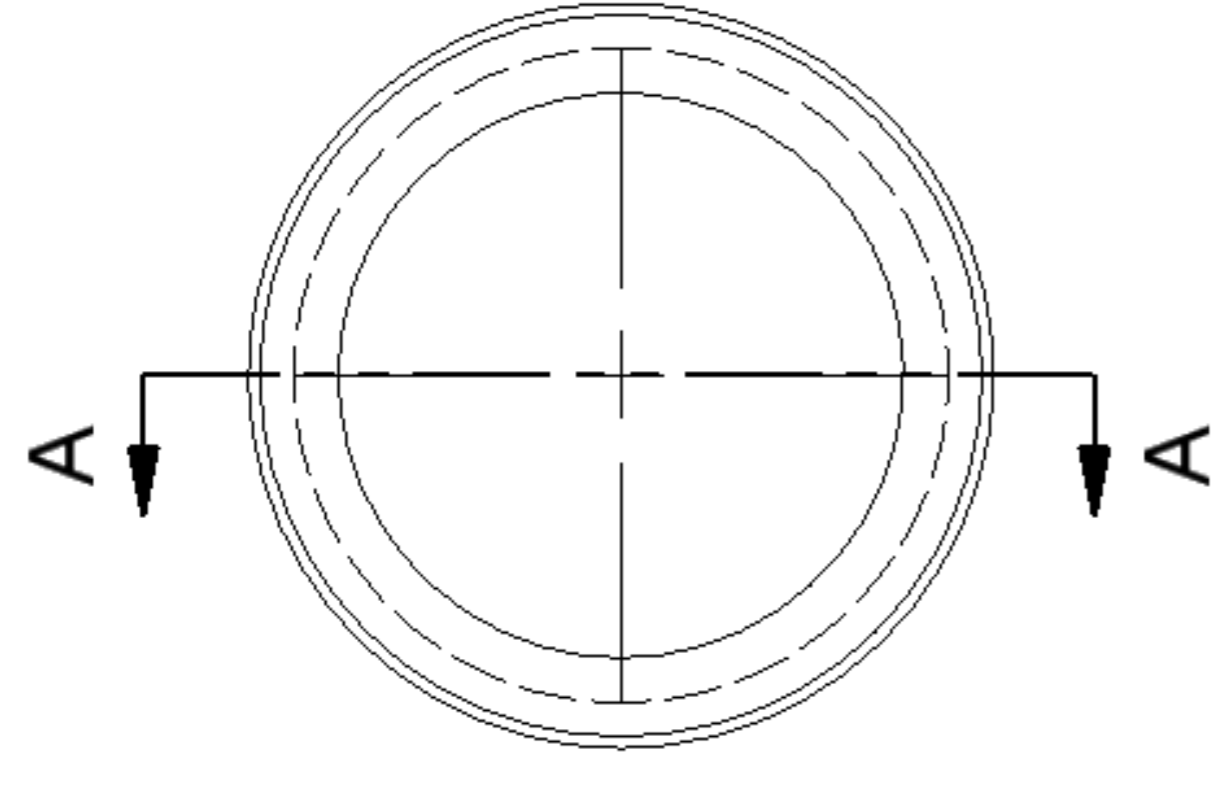
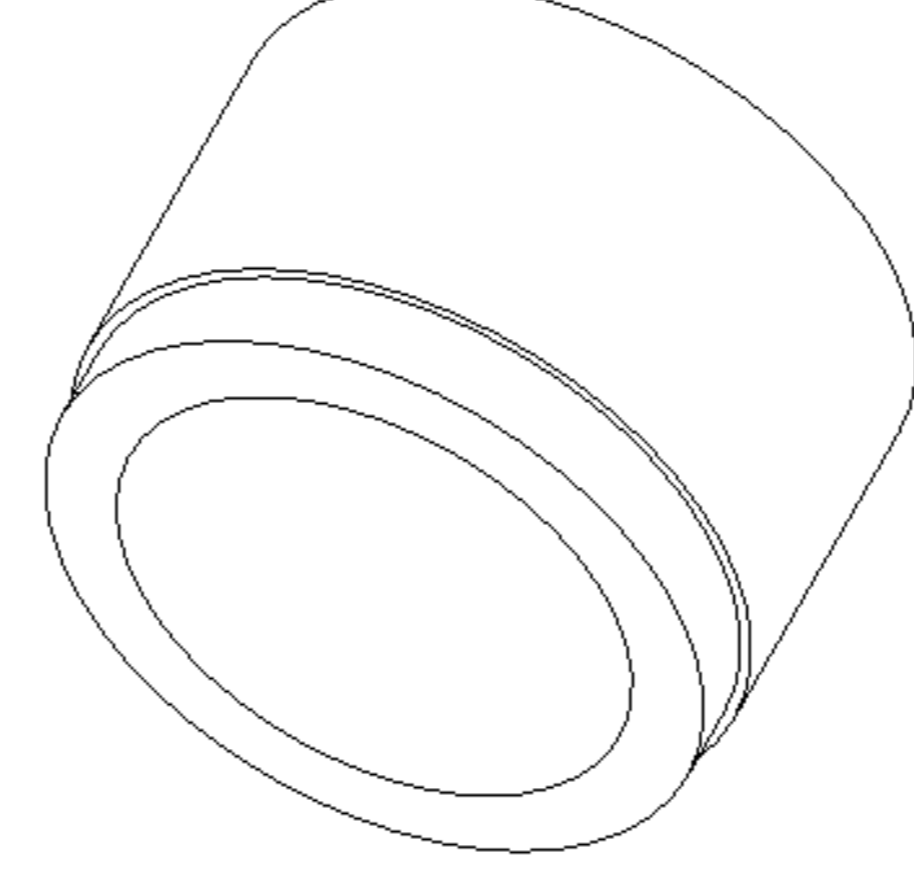
B

A

A



SECTION A-A
SCALE 1 : 1



D

C

B

A

A

DRAWN	11/21/2004		
Brian O'Neel			
CHECKED			
QA		TITLE	
MFG			
APPROVED			
		SIZE	DWG NO
		C	postmix
		SCALE	REV

2

3

4

